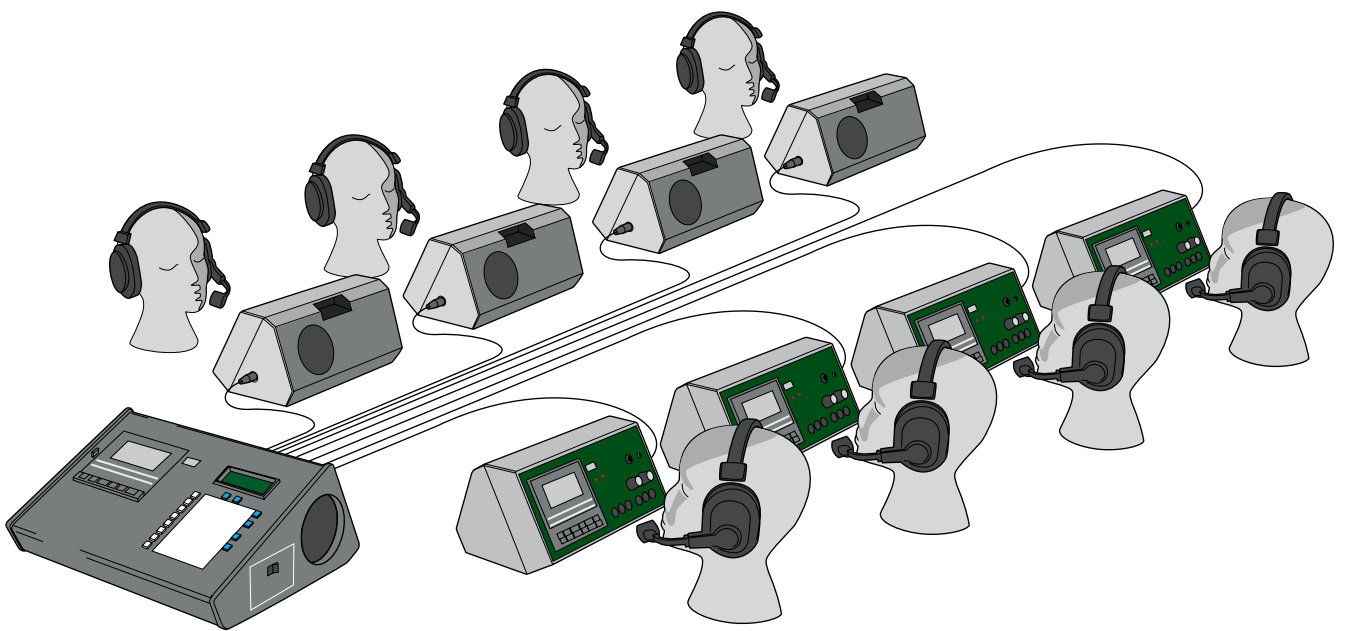


# Coomber

## Language System



## 901 Operating Manual

S/W version ccp227

# Contents

1. INSTALLATION .....	2-3
2. INTRODUCTION .....	3
2.1 Connecting 3902, 3904, 3907 Student Stations to the 901 Controller .....	3
3. OPERATING MODES OF THE 901 CONTROLLER .....	4
3.1 Mode Descriptions .....	5
4. INITIAL OPERATION .....	6
4.1 Important Notes on Volume Control .....	6
5. OPERATING THE 901 CONTROLLER .....	7
5.1 Monitor Mode .....	8
5.2 Fast (x2) Copy Tape Mode .....	8
5.3 Assessment Mode .....	8
5.4 Copy Microphone Mode .....	9
5.5 Copy Line/Aux .....	9
5.6 Copy Teacher Tape .....	9
5.7 Conference Mode .....	10
5.8 Intercom Mode .....	10
6. SAFETY AND SERVICING .....	10

## 1. Installation

### A. FIXED, PORTABLE OR TROLLEY BASED SYSTEMS

Pre-made fixed length cables with moulded connectors, are available from Coomber as follows:-

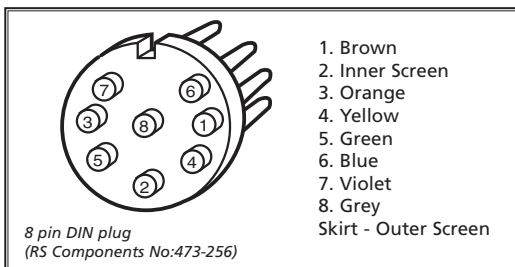
Order code:   **1948** for 0.5m plug to plug  
                  **1949** for 1.5m plug to plug  
                  **1950** for 5.0m plug to plug  
                  **1947** for 5.0m plug to socket (extension)

### B. FIXED INSTALLATION

**Note:** A technician will be required to create your connecting leads using the following instructions!

If you wish to install a system constructing your own length cables, please follow these instructions.

1. The correct cable is 7 core with inner and outer screen. Our part no. JD 1 cable. **Please note:** the specification of the cable has been drawn up to give optimum performance. If cables with alternative specification are used, this may lead to detrimental performance of the language laboratory system for which we cannot be responsible.



2. Connect JD 1 cable as follows to 8 pin DIN plug (RS Components No:473-256)

3. Ensure no connection between inner and outer screens.

4. **Warning:**  
**When constructing your own cables, Ensure cables are tested for shorts between any pins and pins to skirt, prior to connection, as permanent damage may result to equipment.**

**Please Note:** It is very important to adhere to the recommended specification cable type. Failure in complying, could result in poor immunity to interference and damage for which we cannot be responsible.

### Assessment Mode Note:

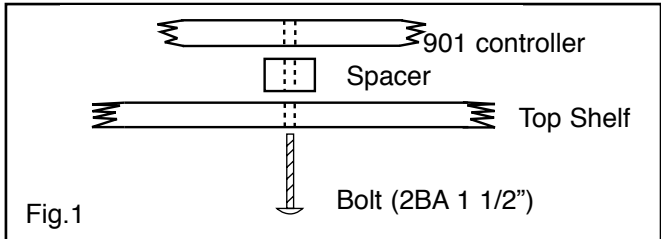
901 controllers manufactured before the 17<sup>th</sup> June 1998 (preceding S/W CCP227), will record the students voice on the **student** track in **all modes**. 901 controllers manufactured after 17<sup>th</sup> June 1998 (exceeding S/W CCP227), will record the students voice on the **teacher** track whilst in **assessment mode**. This change now enables the cassette to be used on a conventional cassette recorder for assessment appraisal.

To find out which software version: Switch on 901 controller, then hold down Key A or B. The software version (S/W) and release date will now be displayed.

### C. TROLLEY INSTALLATION

The following describes how to correctly set up the Coomber language system to the 1966 trolley.

1. Open trolley.
2. Feed cables through holes (1 cable per hole) insert grommets (note: grommets do not provide a total restraint for cables should they be tugged at during use).
3. Connect cables to the back of 901 controller in numerical order.
4. To secure 901 controller to top shelf, position each spacer over a hole. Fit the rear two bolts loosely (2 or 3 turns only), lift the front of the controller to help locate the front two bolts. (It is important that the 4 spacers are in position otherwise over tightening the bolts may deform the controller. See Fig. 1
5. Tighten all 4 bolts, do not over tighten.

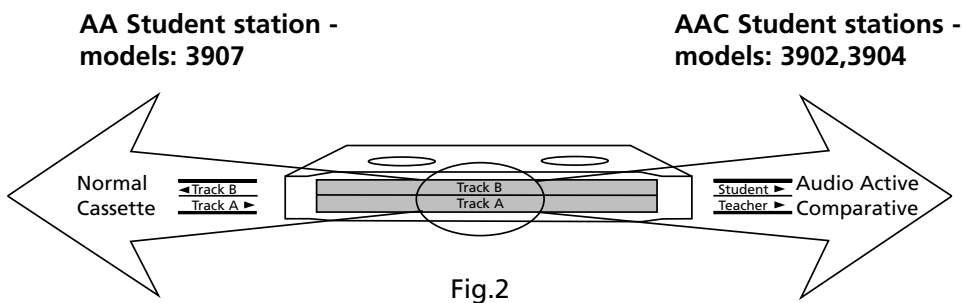


## 2. Introduction

The Coomber Language Laboratory provides a portable, inexpensive method for learning languages.

This system consists of the Coomber 901 Controller and up to eight AAC or AA student stations. The 901 controller is operated with the aid of an LCD (display) which describes each mode. The 901 allows control of up to 8 x 3902, 3904, 3907 student stations including:

- Record
- Playback
- Pause
- Rewind
- Stop



### 2.1 Connecting 3902, 3904, 3907 Student Stations to the 901 Controller

#### Note:

- It is essential that the correct cable is used to connect the 3902,3904 or 3907 student stations (Maximum eight).
- If using cable extensions, ensure adhesive tape is applied around the joint to prevent accidental separation.

The controller connection is found on the right hand side of the student stations.

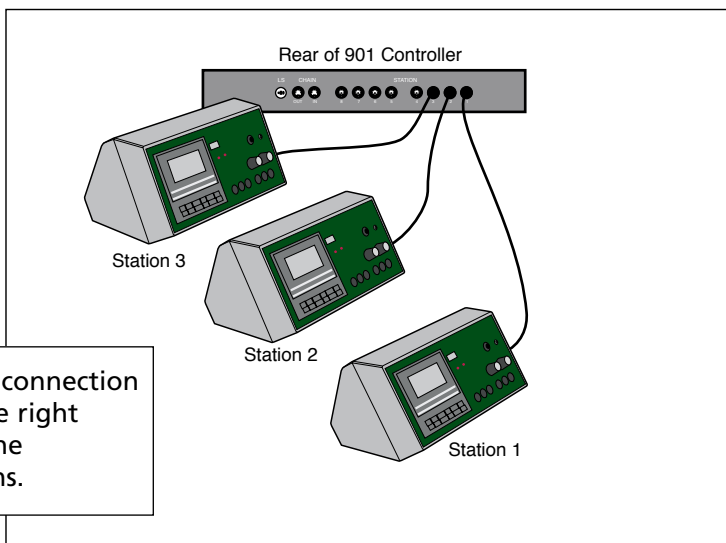
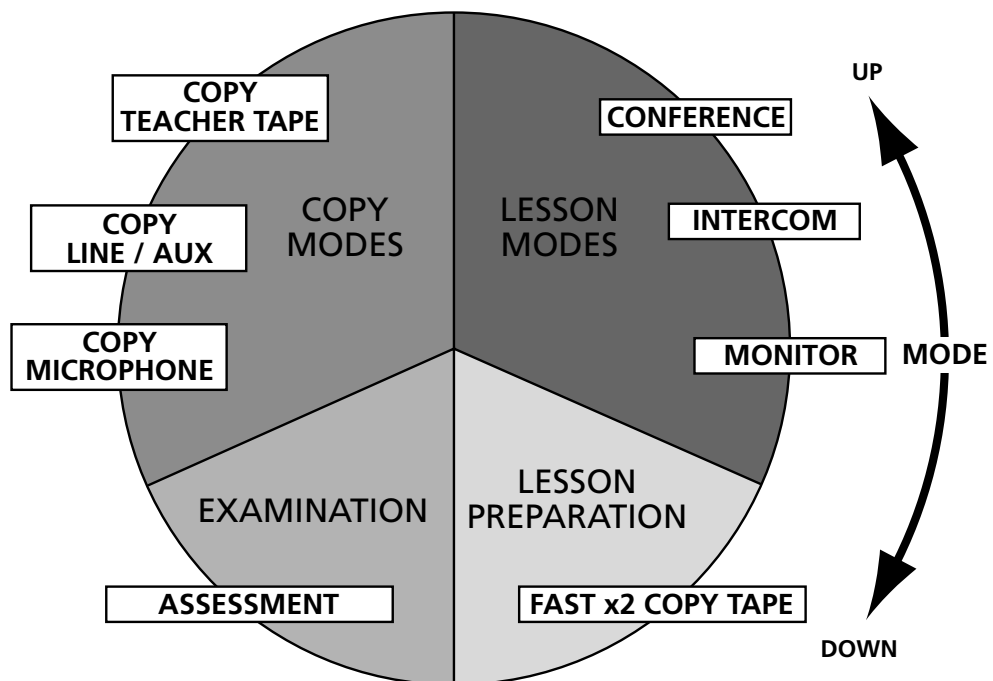


Fig. 3

### 3. Operating Modes Of The 901 Controller



**Note:** The Controller starts up in Monitor Mode when switched on.

### **3.1 Mode Descriptions**

#### **1. Monitor Mode**

Monitor Teacher Tape:

- Use the controller like a normal cassette recorder with all the usual features.
- Switch the loudspeaker on/off.

Monitor Station:

- Allows the teacher to listen to selected student stations.

#### **2. Fast (x2) Copy Tape**

- Provides double speed cassette copy from the 901 controller to student stations (3902,3904,3907).

#### **3. Assessment Mode**

- In this mode, only the student responses are recorded without gaps on the student stations (3902,3904,3907), for convenient assessing. Unlike the other modes, the student is recorded on the teacher track so that the cassettes can now be played back on any conventional cassette player.

#### **4. Copy Microphone Mode**

- Teacher's voice is copied on to all student stations. If using 3902 or 3904 student stations, students can record on their track at the same time.

#### **5. Copy Line/Aux**

- May be used to copy material from an external CD player, radio, video (audio), etc. to all stations. If using 3902 or 3904 student stations, students can record on their track at the same time.

#### **6. Copy Teacher Tape**

- Learning material can be copied from the 901 controller to student stations. If using 3902 or 3904 student stations, students can record on their track at the same time. Student stations may be individually monitored whilst recording is in operation.

#### **7. Conference**

- Allows group communication between selected/all student stations.

#### **8. Intercom Mode**

- Allows the teacher to communicate with a single student station.
- May be used to record on to teacher tape using headset.

## 4. Initial Operation

1. Connect a headset to either of the two sockets marked 'headset' on the front of the controller.
2. Switch on controller; switch is located on the right hand side of controller.

Please ensure that you have read the operating instructions for the 3902,3904,3907 before proceeding.

The following will appear on the LCD

```
The 901 CONTROLLER
      from
Coomber Electronic
Equipment Ltd. 1997
```

Press A or B to display the operating system version whilst the start up message is displayed. Press MODE or VOLUME buttons for Monitor 'Teacher Tape'.

After approx. 5 secs, the start up mode will be displayed (Monitor Teacher Tape).

```
Monitor Teacher Tape
Stations connected
1 2 3 4 5 6 7 8
key:A=LS on/off  off
```

Indicates students stations connected

Indicates loudspeaker on/off

### 4.1 Important notes on Volume Control

The Controller has an internal Loudspeaker but also has a socket on the rear, to enable an external loudspeaker (not less than 4 Ω) to be connected. This socket is reversible enabling the external loudspeaker to be operated by itself or in conjunction with the internal loudspeaker.

#### To listen through the internal or an external loudspeaker (if connected):

1. Insert a pre-recorded cassette into the teacher cassette deck on the controller.
2. Ensure you are in 'Monitor Teacher Tape'.
3. Press key 'A' to turn the loudspeaker on.
4. Press play on the teacher cassette deck.
5. Adjust 'Volume' to suit.

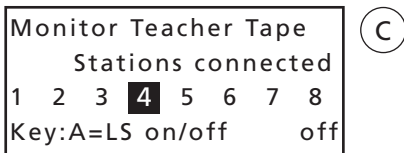
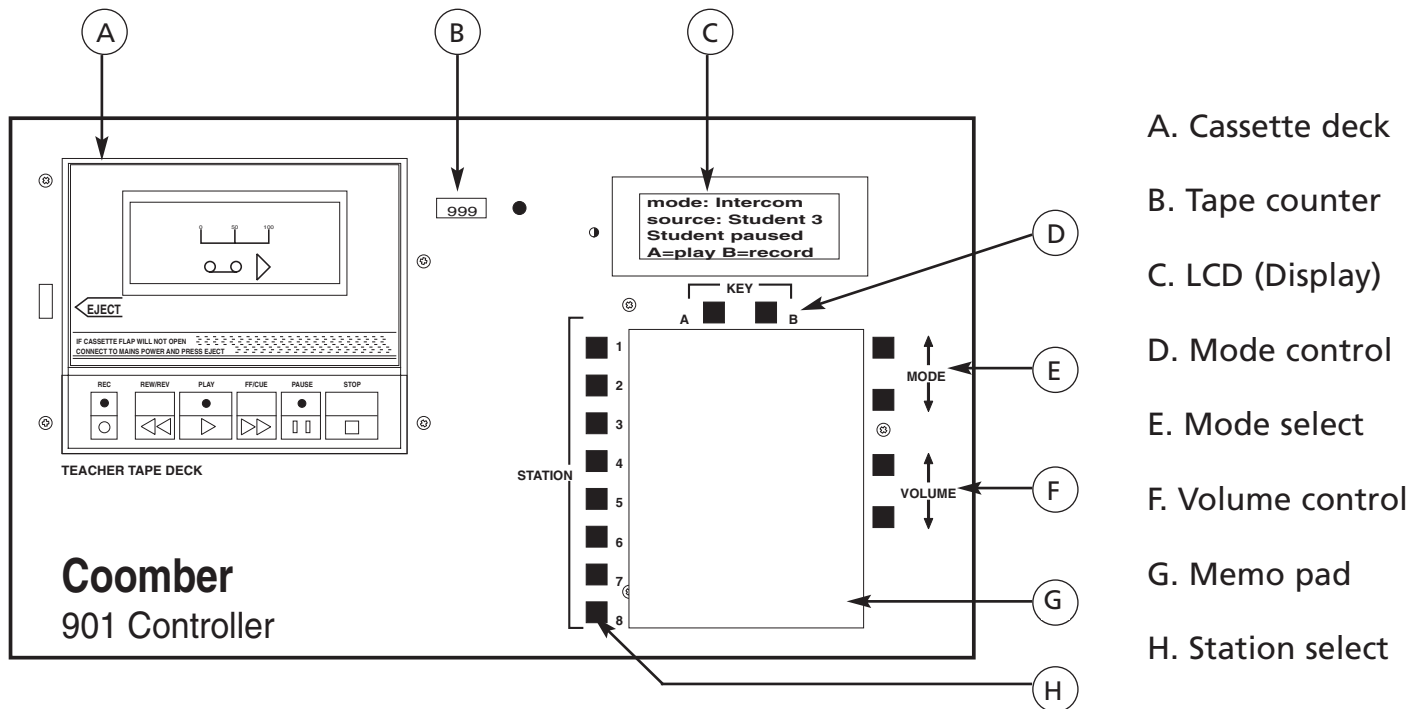
```
Monitor Teacher Tape
Stations connected
1 2 3 4 5 6 7 8
key:A=LS on/off  on
```

### Notes:

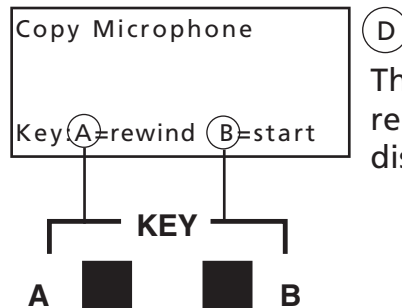
- The cassette in the controller can only be heard through the internal/external loudspeaker - in 'Monitor Teacher Tape' and 'Copy Teacher Tape'.
- Only on 'Monitor Teacher Tape' can you toggle the internal/external loudspeaker on/off by pressing 'key A'.

Mode	LS Sound	Headset Sound
Monitor Teacher Tape/Station **	yes	yes
Fast (x2) Copy Tape	no	yes
Assesment	no	yes
Copy Microphone	no	Mic Only
Copy Line/Aux	no	Line Only
Copy Teacher Tape	yes	yes
Conference	no	yes
Intercom	no	yes

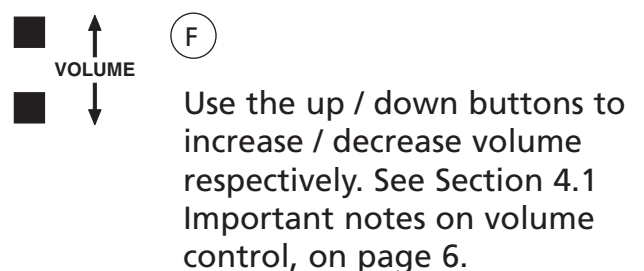
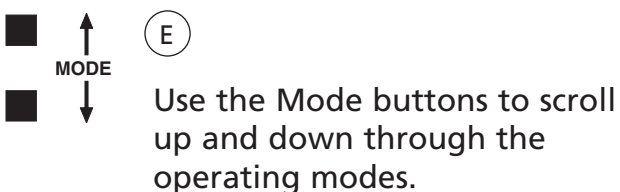
## 5. Operating The 901



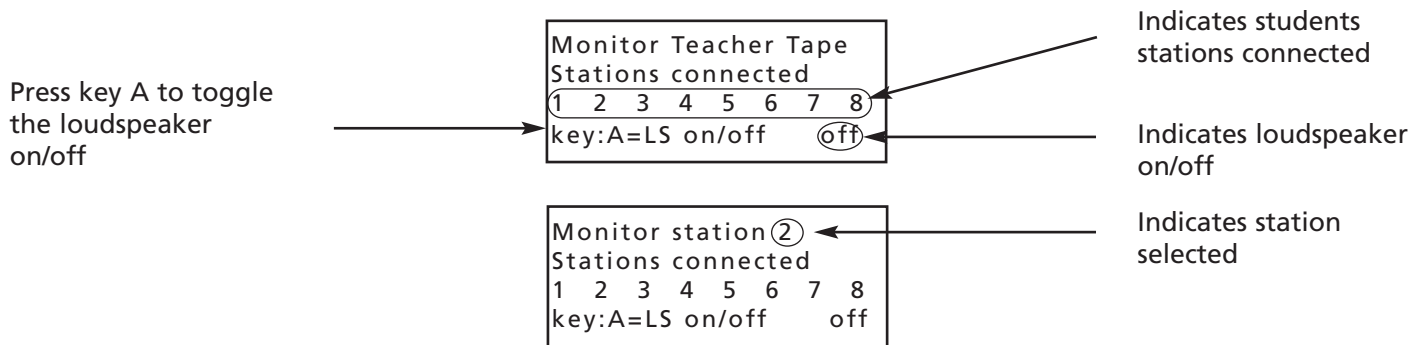
The solid flashing block displays when a student presses the 'call teacher button' above **4** the block will not flash to indicate the student is in record. Note: The 'call teacher button' works in Monitor and Intercom mode only.



The A and B mode option keys relate to the mode and menu display options, as shown here.

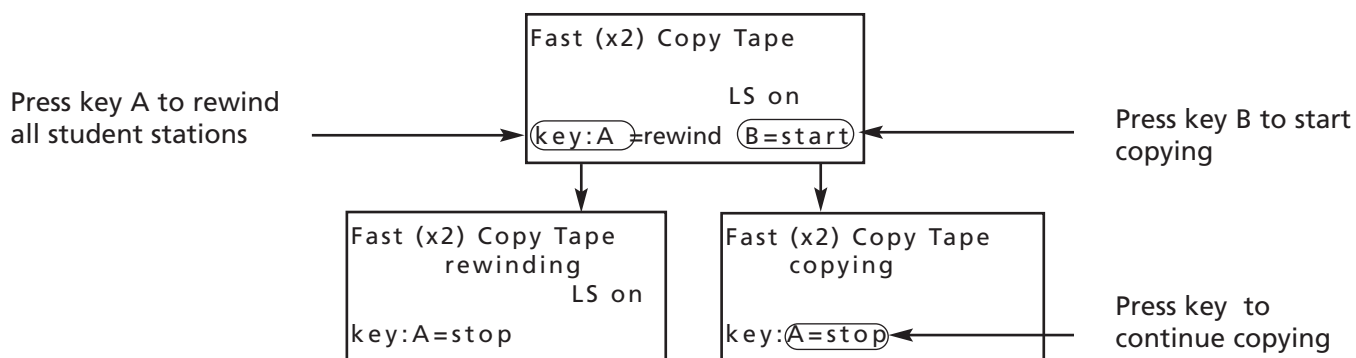


## 5.1 Monitor Mode



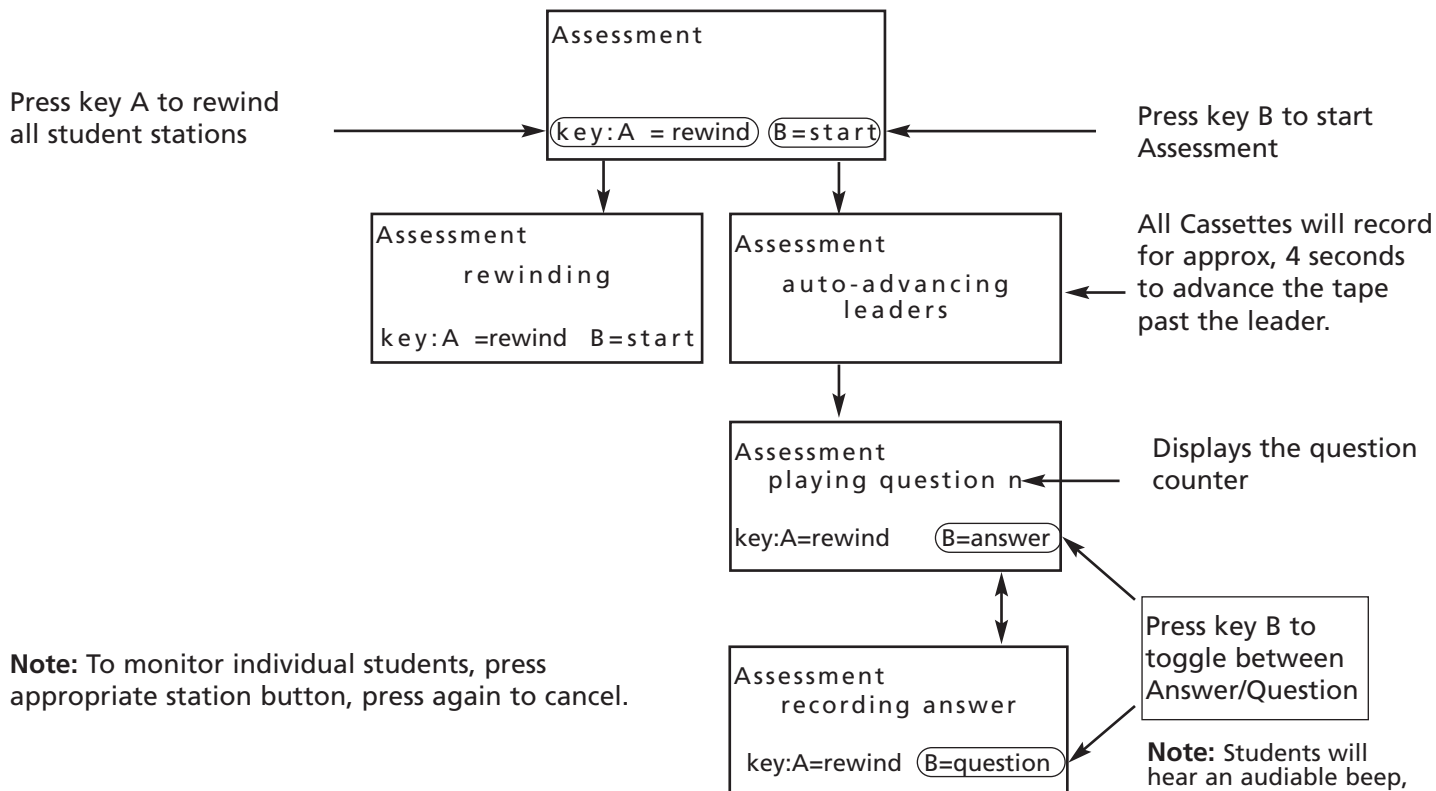
**Note:** To monitor individual students, press appropriate station button, press again to cancel.

## 5.2 Fast (x2) Copy Tape Mode



**Note:** To monitor individual students, press appropriate station button, press again to cancel.

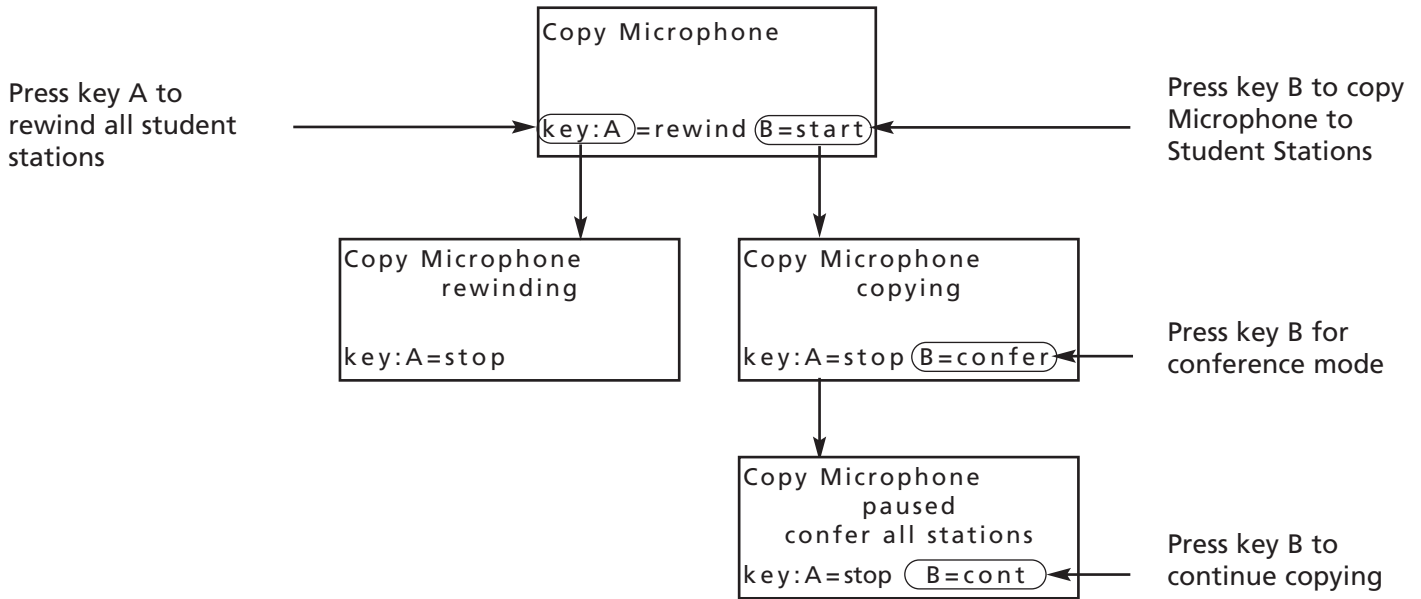
## 5.3 Assessment Mode



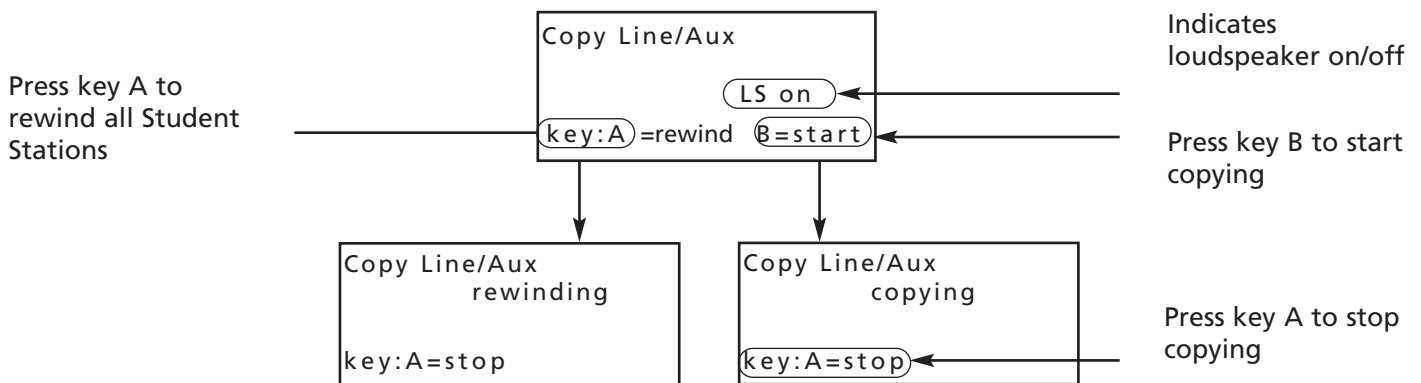
**Note:** To monitor individual students, press appropriate station button, press again to cancel.



## 5.4 Copy Microphone Mode

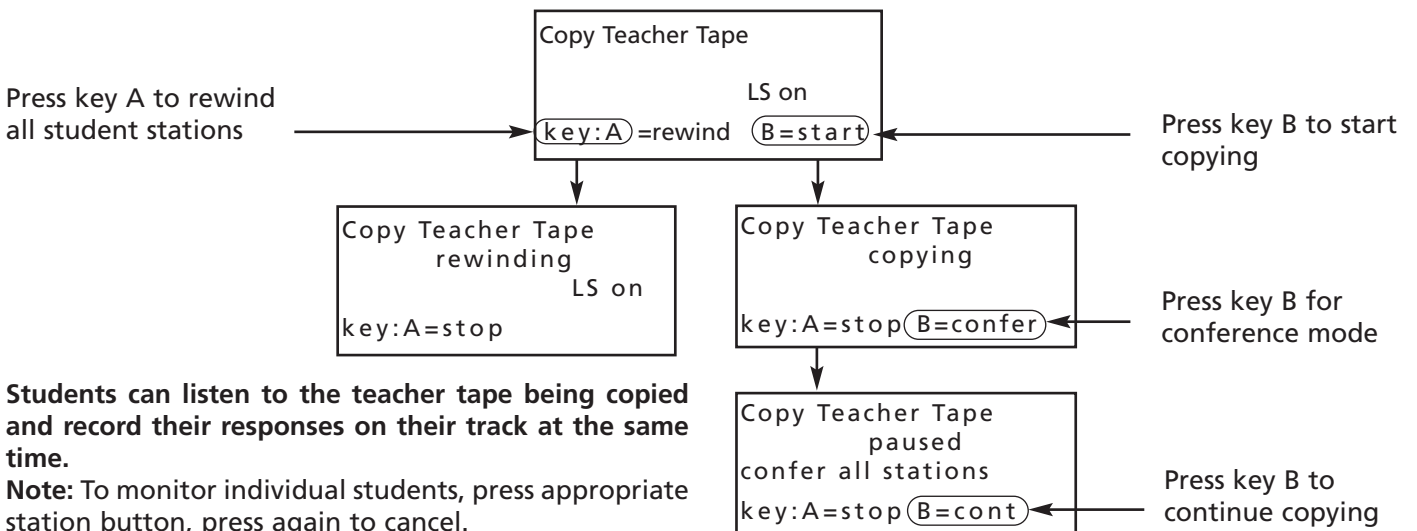


## 5.5 Copy Line/Aux



**Note:** To monitor individual students, press appropriate station button, press again to cancel

## 5.6 Copy Teacher Tape



## 5.7 Conference Mode

Press key A to communicate to all student stations

```

Conference
  Select Stations
(key:A=all  B=cancel)
    
```

**Note:** For multiple student monitoring, press appropriate station buttons.

```

Conference
  all stations
  stopped
key:A=all (B=cancel)
    
```

Press key B to cancel conference communication

```

Conference
(stations 1234)
key:A=all (B=cancel)
    
```

Indicates stations selected

Press key B to cancel conference communication

Example shows 1,2,3,4 selected.

## 5.8 Intercom Mode

Listen to cassette and headset simultaneously.

```

Intercom tape
  Stations connected
1 2 3 4 5 6 7 8
    
```

**Note:** Press appropriate station button for individual student station communication. Press again to cancel and return to **Intercom tape**

```

Intercom station (1)
  Stations connected
1 2 3 4 5 6 7 8
    
```

Indicates station selected

## 6. Safety and Servicing Information

**THIS EQUIPMENT MUST BE EARTHED.**

**THIS APPARATUS SHALL NOT BE EXPOSED TO DRIPPING OR SPLASHING.**

**MAINS PLUG FUSE RATING**

3 Amp (applicable in U.K.)

**MAINS CABLE 220/240V**

Live - Brown Neutral - Blue Earth - Green/yellow

**Mains Voltage**

220/240V 50Hz

110/120V 50/60Hz versions available on request

The mains cable fitted to this equipment is already provided with a moulded plug, all UK versions incorporate a 3A fuse. If the plug does not fit your socket-outlet, the plug should be removed and disposed of safely. It must not be reused.

A suitable plug should be correctly connected following the lead colour information provided by the plug manufacturer.

Safety testing and servicing should only be carried out by qualified personnel. When making EARTH continuity tests, test only the Mains Module Chassis.

**Environments**

Exposure to dust, moisture, water, Chlorine and other corrosive substances may cause damage to this equipment.

**Additional Technical Information**

If you require any further assistance, please telephone 01905 342070 and our technical department will be pleased to help you.